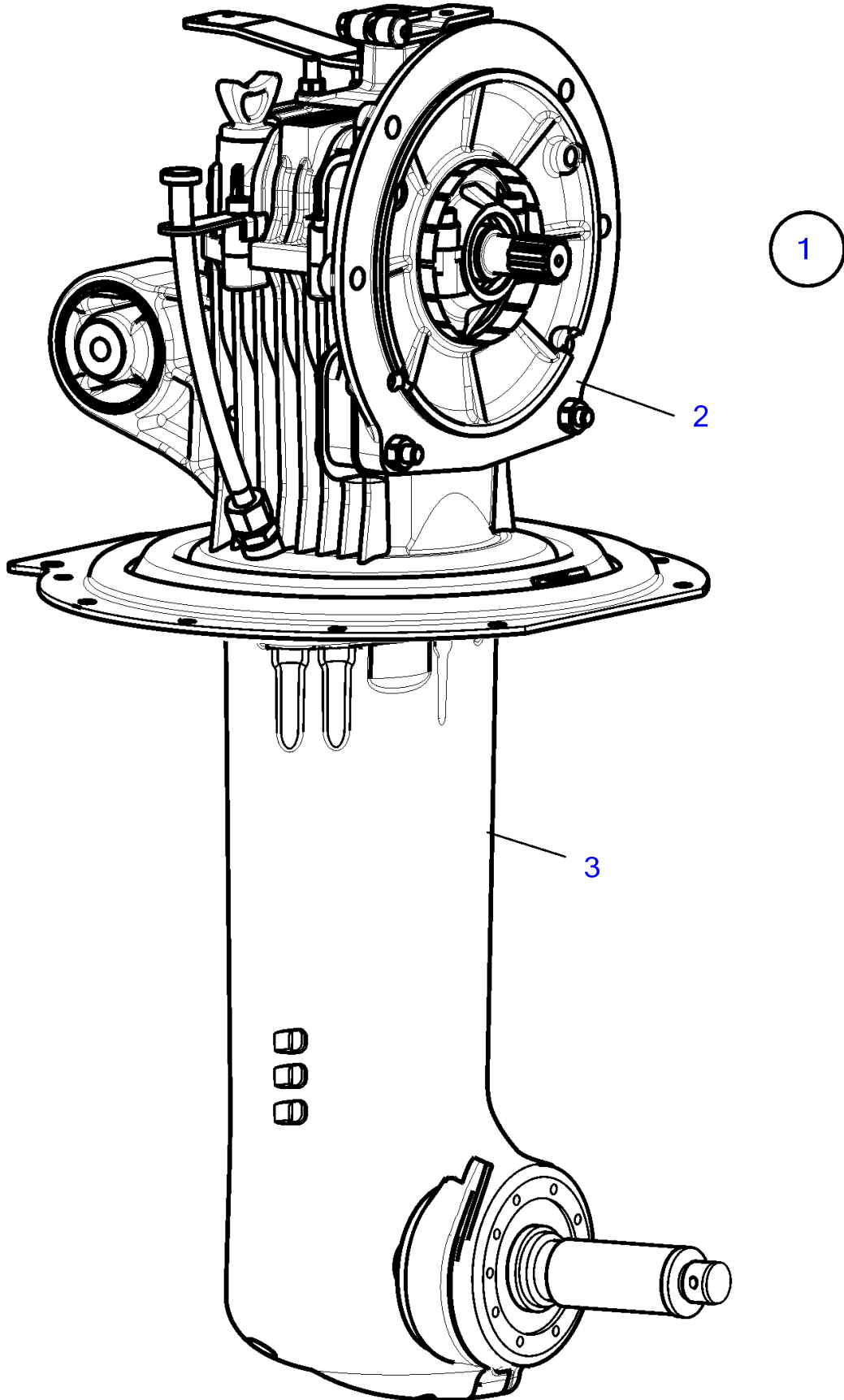


150S-A, 150S-B, 150SR-A, 150SR-B



150S-A, 150S-B, 150SR-A, 150SR-B

REF	PART NO.	QTY	DESCRIPTION	SEE SEC.	NOTES
1	3819865	1	Sail drive		Ratio 2.19:1
2	888326	1	• Gear housing		Ratio 2.19:1
			•		
			•	7556	
3	889670	1	• Gear housing		Ratio 2.19:1
			•		
			•	7562	